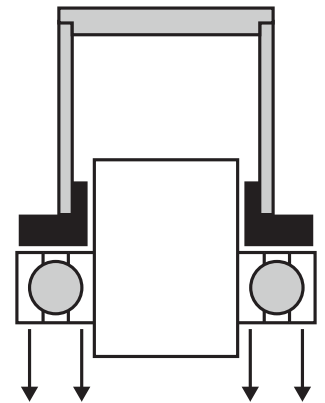
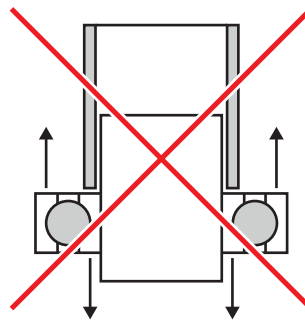




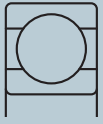
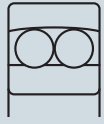
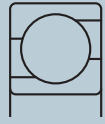
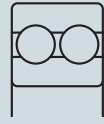






FITTING TOOL SET

For a safe, precise and quick mechanical mounting of bearings, bushings, sealing rings and pulleys. This set is usable for fitting more than 200 sizes of bearings with a bore from 10 to 50mm. The set consists of three special aluminium impact sleeves, 33 synthetic impact-resistant collets and a dead blow hammer, all delivered in a robust case.

! It is important during mechanical mounting, that the bearing is supported on its inner and outer rings to avoid damage. Through the use of the impact resistant, synthetic collets, metal to metal contact is avoided and any unwanted forces on the balls and rollers will be avoided.



										
Impact sleeve	Impact ring	Series 60 62 63 64	Series 12 22 13 23	Series 72 B 73 B	Series 32 33	Series 222 213 223	Series NU-NJ-N 2 3 4	Series 302 322 303	Series 313 323	
A	10-26 10-30	6000 6200	129 1200 2200 1300		3200					
	10-35 12-28 12-32	6300 6001 6201	1201 2201 1301 2301		3201					
	12-37	6301								
	15-32 15-35	6002 6202	1202 2202	7202 B	3202					
	15-42	6302	1302 2302		3302			30302		
	17-35 17-40	6003 6203	1203 2203	7203 B	3203			30203		
	17-47	6303	1303 2303	7303 B	3303			30303		
B	20-42 20-47	6004 6204	1204 2204	7204 B	3204		204			
	20-52	6304	1304 2304	7304 B	3304	21304	304	30304	32304	
	25-47 25-52	6403 6005 6205	1205 2205	7205 B	3205	22205	205	30205		
	25-62	6305	1305 2305	7305 B	3305	21305	305	30305	31305 32305	
	30-55 30-62	6404 6006 6206	1206 2206	7206 B	3206	22206	206	30206 32206		
	30-72	6306	1306 2306	7306 B	3306	21306	306 405	30306	31306 32306	
C	35-62 35-72	6007 6207	1207 2207	7207 B	3207	22207	207	30207 32207		
	35-80	6307	1307 2307	7307 B	3307	21307	307 406	30307	31307 32307	
	40-68 40-80	6406 6008 6208	1208 2208	7208 B	3208	22208	208	30208 32208		
	40-90	6308	1308 2308	7308 B	3308	21308 22308	308 407	30308	31308 32308	
	45-75 45-85	6407 6009 6209	1209 2209	7209 B	3209	22209	209	30209 32209		
	45-100	6309	1309 2309	7309 B	3309	21309 22309	309 408	30309	31309 32309	
	50-80 50-90	6408 6010 6210	1210 2210	7210 B	3210	22210	210	30210 32210		
	50-110	6310	1310 2310	7310 B	3310	21310 22310	310 409	30310	31310 32310	

Impact rings 50-90, 45-100 and 50-110 also fit the bearings where the outer ring is to be fitted into a housing.

C	45-100	6011 6012							
	50-90	6013	1211	7211 B	3211	22211	211		
	50-110	6211	1211						
		6014	1212	7212 B	3212	22212	212		
		6015	1213	7213 B	3213	22213	213		
		6212	2212	7311 B	3311	21311	311		
		6213	2213			22311	410		
		6311	1311						
		6410	2311						